

PALLET DESIGN SYSTEM Version 4.1

Pallet Specification Sheet

All dimensions in inches

Customer:

PalletOne

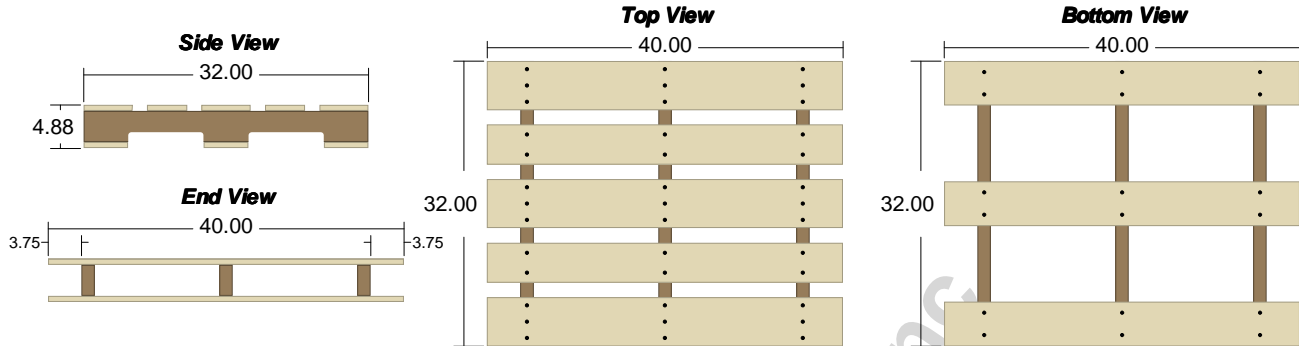
Prepared by:

PalletOne

PDS License: 47 Printed: March 03, 2009

Pallet ID: MH1/9-01SW3240

Classification: 32.00 x 40.00, Stringer-Class, Double-Face Non-Reversible, Partial 4-Way, Multiple-Use, New Manufacture



Components

Materials

Top Deck:

Style: Deckboard **Type:** New Lumber

Number	Thickness	Width	Length
2	0.688	4.500	40.00
3	0.688	5.500	40.00

Volume: 4.9 bd ft

Bottom Deck:

Style: Deckboard **Type:** New Lumber

Number	Thickness	Width	Length
3	0.688	5.000	40.00

Volume: 2.9 bd ft

Stringers:

Type: New Lumber

Number	Width	Height	Length
3	1.500	3.500	32.00

Volume: 3.5 bd ft

Partial 4-way Entry Notch:

Depth: 1.125 Length: 8.50 Location: 5.00 Radius: 0.75

Fasteners:

Fastener ID:	2-1/4 x .112 SS
Fastener Type:	Helically Threaded Nail
Fastener Length:	2.25
Thread Length:	1.25
Thread Diameter:	0.128
Wire Diameter:	0.112
Head Diameter:	0.280
Helixes:	5.4
Flutes:	4
Thread Angle:	67
MIBANT Angle:	36
FWI:	71
FSI:	67
Total Number:	57

New Lumber:

Lumber ID:

Species Class	Grade
Medium Density Eastern Hardwoods	Standard &BTR

Moisture Content (at manufacture and assembly): Green

Total New Lumber Volume: 11.2 bd ft

Spec Sheet Notes:

(2) 0.25" x 1.5" strap notches located 9.125" from end of each stringer required. No nails through slots.

Moisture content 30% maximum.

Wood Species Class 1,3,4,and 21 only.

Chamfered deckboards required on all bottom deckboards.

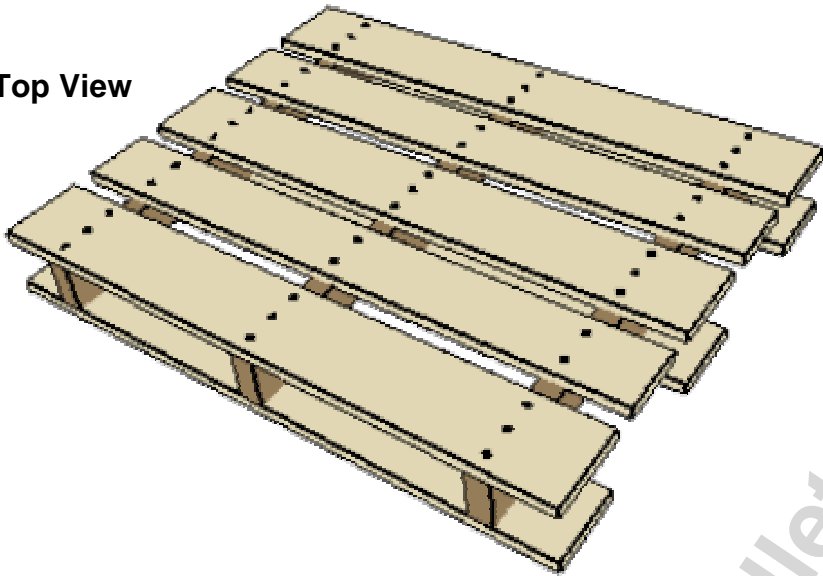
PALLET DESIGN SYSTEM Version 4.1

3-D Pallet Drawings

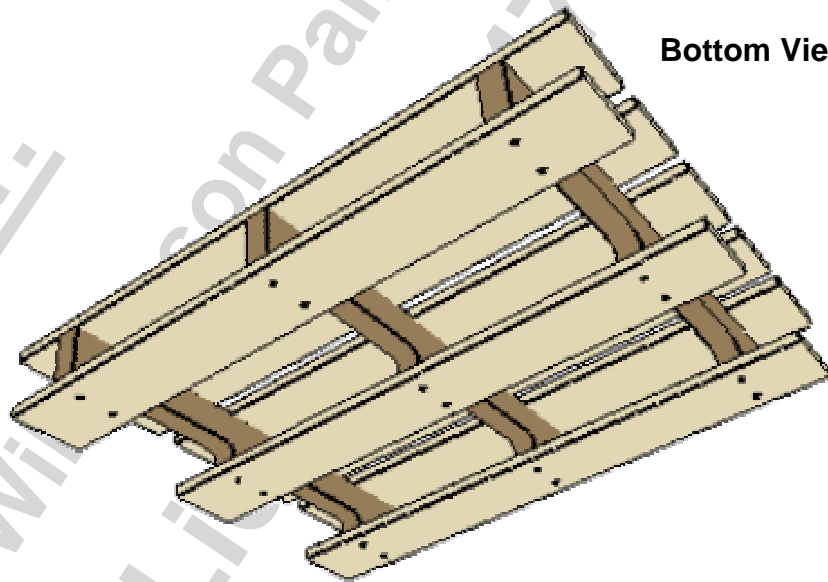
Pallet ID: MH1/9-01SW3240

Classification: 32.00 x 40.00, Stringer-Class, Double-Face Non-Reversible, Partial 4-Way, Multiple-Use, New Manufacture

Top View



Bottom View



All materials generated from the PDS software (including without limitation specification sheets, drawings, analyses and all other output) (PDS Materials) are protected by copyright and other intellectual property laws. The direct pallet user customer may not copy the PDS materials without the express written permission of the PDS licensee that provided the customer with the PDS materials.

Customer:

PalletOne

Prepared by:

PalletOne

ERROR: syntaxerror
OFFENDING COMMAND: --nostringval--

STACK:

/Title
()
/Subject
(D:20090303094850-05'00')
/ModDate
()
/Keywords
(PDFCreator Version 0.9.5)
/Creator
(D:20090303094850-05'00')
/CreationDate
(Joe Hammond)
/Author
-mark-